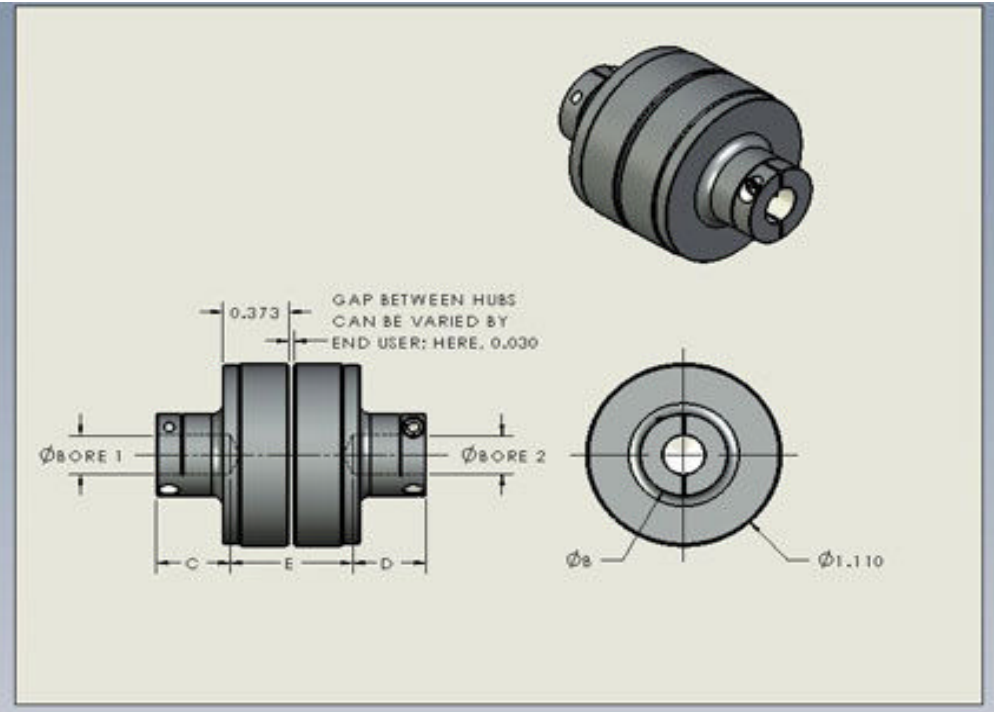


MXC physical dimensions

part number													
type (OC, OI, etc.)	diameter B of shaft portion of hub, in 16ths of an inch	placeholder, D	bore one size, in 16ths of an inch (E) or in mm (M)	E = English, M = metric bore	bore one type (b = blind, T = thru, K = keyway)	bore two size, in 16ths of an inch (E) or in mm (M)	E = English, M = metric bore	bore two type (b = blind, T = thru, K = keyway)	S = set screw, C = clamping	hub material (see chart at right)	placeholder, "HUB"	midsection material (see chart at right)	placeholder, "MID"
MSC	8	D	4	M	B	6	M	B	S	A	HUB	N	MID
MMC	12	D	5	M	B	6	M	B	C	A	HUB	N	MID
MLC	16	D	6	M	B	6	M	B	S	A	HUB	N	MID



physical dimensions, inches							
A	B	C	D	E	min bore for this OD	max bore for this OD	
1.53	0.5	0.313	0.313	0.904	0.118	0.25	
1.78	0.75	0.438	0.438	0.904	0.157	0.313	
1.905	1	0.501	0.501	0.904	0.236	0.5	